

NSD3111 Smart Display

ARM Cortex-A72 + DUAL 11.6-inch LCD

[Key Features]

- Dual 11.6-inch LCD @ 1366x768
- Cap touch panel @ Primary LCD
- ARM Cortex-A72 @ 2GHz processor
- Rich I/O: USB3.0, Audio, LAN, GPIO
- OS: Android, Debian Linux
- Multi-band LTE module (option)
- WiFi / Bluetooth module (option)
- 4x RS232/422/485 module (option)
- HDMI receiver module (option)
- 12V/24V DC voltage input

[Typical Applications]



- HMI
- Vending Machine
- Gaming
- Fitness Machine
- POS

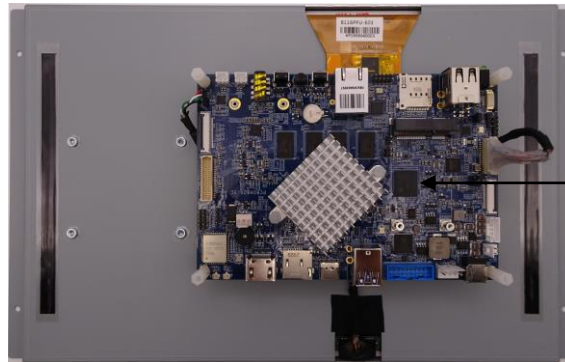


NSD3111 (ARM Cortex-A72 + Dual Display)

[Brief Dimension]

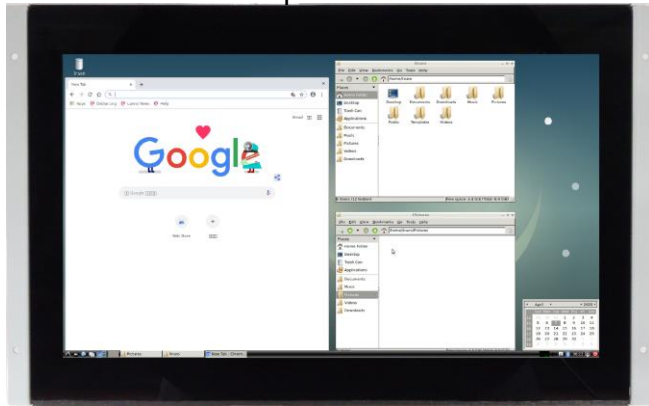
NSD Primary Display

(Bottom View)

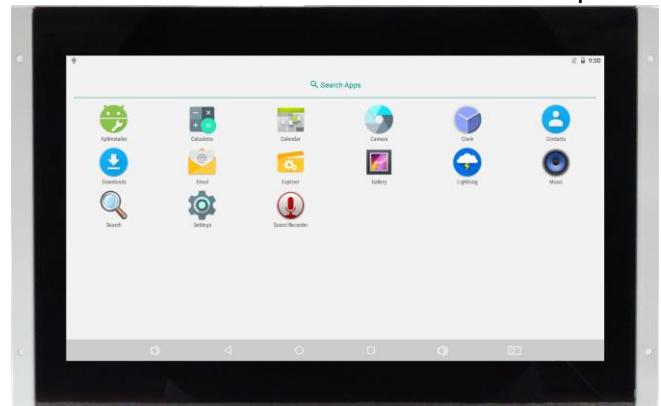


SBC3100

(Top View w touch screen)
Debian Desktop



(Top View w touch screen)
Android Desktop



HDMI cable



NSD
Secondary
Display

(Top View
with photo)

NSD3111 (ARM Cortex-A72 + Dual Display)

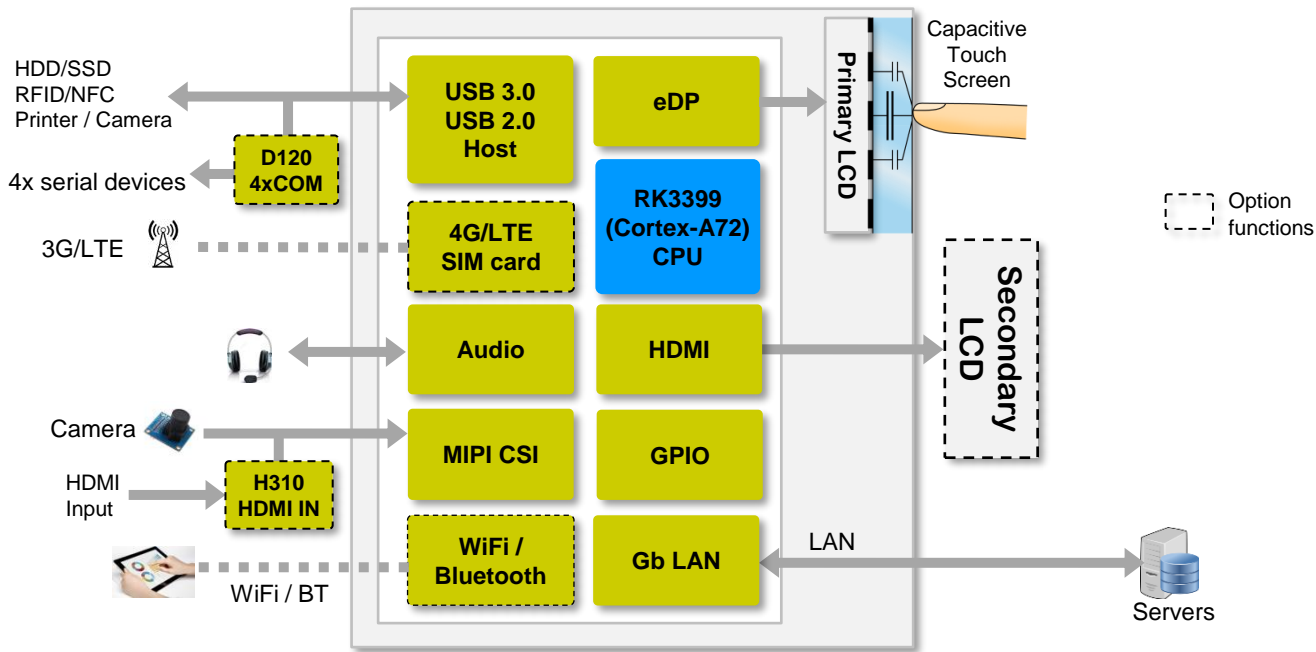
[Product Specifications]

		NSD3111
Primary Display	Screen Size	11.6-inch
	Resolution/Color	1366x768 / 262K
	Luminance(cd/m ²)	250
Touch Screen	Type	Projected Capacitive
	Points	≥ 5 points finger touch
Secondary Display (Option)	Screen Size	11.6-inch
	Resolution/Color	1366x768 / 262K
	Luminance(cd/m ²)	250
CPU Memory OS	Processor	Rockchip RK3399 (ARM Cortex-A72 x2 + Cortex-A53 x4) @ 2GHz
	DDR3 / Flash	2GB DDR3 / 8GB eMMC
	OS	Android / Debian / Ubuntu
Power	DC Power	+12V / +24V
Audio	Audio Interfaces	2x speaker interfaces + 1x MIC + 1x headphone + 1x Line-in
Network	LAN	1x 10M/100M/1G bps Ethernet
Wireless	4G/LTE	(option) LTE modules for different country/region
	WiFi/BT	(option) WiFi: 802.11b/g/n/ac ; Bluetooth 4.1
MIPI	CSI/DSI	1x MIPI-CSI + 1x MIPI-CSI/DSI + 1x MIPI-DSI
I/O	USB 2.0 Host	2x USB2.0 Type-A + 1x pin header
	USB 3.0 Host	2x USB3.0 Type-A + 2x pin header
	Type-C	USB 3.0 OTG / DisplayPort 1.2
	SD Card	1x microSD card slot
	COM Port	(option) D120 board (4x RS232/RS422/RS485)
	I ² C / GPIO / Buzzer	1x I ² C master + 8-bit GPIO + 1x Buzzer
Timer	RTC	Yes
	Watchdog Timer	Yes
Temperature	Operating Storage	<TBD>
Weight / Dimension		<TBD>

- Contact us for custom options: 4GB RAM, 32GB eMMC, industrial grade LCD, 13.3-inch LCD, 15.6-inch LCD, etc.
- The 2nd Display is optional.

NSD3111 (ARM Cortex-A72 + Dual Display)

[Block Diagram]



[Ordering Information]

Part No.	OS	Common Specifications
NSD3111FW-D-2G	Debian	11.6" LCD, 1366x768, Capacitive Touch Screen RK3399 CPU, 2GB /8GB DDR3/eMMC, USB3.0 Type-C MIPI, HDMI, USB3.0/USB2.0 Hosts, MicroSD, Audio LAN, GPIO, mPCIe socket, LTE socket, Buzzer
NSD3111FW-U-2G	Ubuntu	
NSD3111FW-A-2G	Android	

Note:

- Contact us for custom options: 4GB RAM, 32GB eMMC, industrial grade LCD, 13.3-inch LCD, 15.6-inch LCD, etc.
- The part numbers are for 1x LCD only. Order the 2nd LCD in below table.

[Secondary LCD]

Part No.	Description	Part No.	Description
LCM-11BX	11.6" TFT LCM (1366x768) with sheet metal; HDMI I/F; NO touch screen; consumer grade	---	---

[Optional Modules]

Part No.	Description	Part No.	Description
PWR-007-SBC	Power Adapter (+12V) + power cord	WLS-015	802.11ac/b/g WiFi + Bluetooth 4.1
D120-SE	4x RS232/RS422/RS485 card with isolation	LTE module	(Contact us for support list)
H310	HDMI Input (Receiver) Module	H330	MIPI-LVDS bridge Module

Last Update: April, 2020



IC Nexus Co. Ltd.

www.icnexus.com.tw

6F-1, No 3-2, Park Street, Nan Kang Software Park, Taipei 115, Taiwan.

Tel: +886-2-2789-1200

sales@icnexus.com.tw